

SITE PHOTOGRAPHS



Node #3
KingOfP-VZW-003
349-509 W Beidler Rd.
King Of Prussia, PA 19406

DRAWING INDEX

SHEET	DESCRIPTION	
T1	TITLE SHEET	E4 ATTACHMENTS
S1	SITE PLAN & POLE ELEVATIONS	
E1	EQUIPMENT MOUNTING DETAILS	
E2	GROUNDING & WEATHERHEAD	
E3	EQUIPMENT SPECS	

CODE COMPLIANCE

ALL WORK AND MATERIALS SHALL BE PERFORMED AND INSTALLED IN ACCORDANCE WITH THE CURRENT EDITIONS OF THE FOLLOWING CODES AS ADOPTED BY THE LOCAL GOVERNING AUTHORITIES. NOTHING IN THESE PLANS IS TO BE CONSTRUED TO PERMIT WORK NOT CONFORMING TO THE LATEST EDITIONS OF THE FOLLOWING:

- | | |
|--|---------------------------|
| 1. BUILDING CODE | 5. ANSI/TIA/EIA-222-F |
| 2. UNIFORM BUILDING CODE | 6. UNIFORM PLUMBING CODE |
| 3. BUILDING OFFICIALS AND CODE ADMINISTRATORS (BOCA) | 7. NATIONAL ELECTRIC CODE |
| 4. UNIFORM MECHANICAL CODE | 8. LOCAL BUILDING CODE |
| | 9. CITY/COUNTY ORDINANCES |

GENERAL NOTES

STANDARD CONSTRUCTION NOTES:

- THESE NOTES SHALL BE CONSIDERED PART OF THE WRITTEN SPECIFICATIONS.
- THE WORK SHALL INCLUDE FURNISHING MATERIALS, EQUIPMENT, APPURTENANCES, AND LABOR NECESSARY TO COMPLETE ALL INSTALLATIONS AS INDICATED ON THE DRAWINGS.
- PRIOR TO THE SUBMISSION OF BIDS, THE CONTRACTORS SHALL VISIT THE JOB SITE AND BE RESPONSIBLE FOR ALL CONTRACT DOCUMENTS, FIELD CONDITIONS, DIMENSIONS, AND CONFIRMING THAT THE WORK MAY BE ACCOMPLISHED AS SHOWN PRIOR TO PROCEEDING WITH CONSTRUCTION. ANY DISCREPANCIES ARE TO BE BROUGHT TO THE ATTENTION OF THE IMPLEMENTATION ENGINEER AND ARCHITECT/ENGINEER PRIOR TO PROCEEDING WITH WORK.
- THE CONTRACTOR SHALL RECEIVE IN WRITING, AUTHORIZATION TO PROCEED BEFORE STARTING WORK ON ANY ITEM NOT CLEARLY DEFINED OR IDENTIFIED BY THE CONTRACT DOCUMENTS.
- THE CONTRACTOR SHALL INSTALL EQUIPMENT AND MATERIALS IN ACCORDANCE WITH MANUFACTURERS' RECOMMENDATIONS UNLESS SPECIFICALLY INDICATED OTHERWISE OR WHERE LOCAL CODES OR REGULATIONS TAKE PRECEDENCE.
- ALL WORK PERFORMED AND MATERIALS INSTALLED SHALL BE IN STRICT ACCORDANCE WITH ALL APPLICABLE CODES, REGULATIONS AND ORDINANCE CONTRACTORS SHALL GIVE ALL NOTICES AND COMPLY WITH ALL LAWS, ORDINANCES, RULES, REGULATIONS AND LAWFUL ORDERS OF ANY PUBLIC AUTHORITY REGARDING THE PERFORMANCE OF THE WORK. MECHANICAL AND ELECTRICAL SYSTEMS SHALL BE INSTALLED IN ACCORDANCE WITH ALL APPLICABLE MUNICIPAL AND UTILITY COMPANY SPECIFICATIONS, LOCAL AND STATE JURISDICTIONAL CODES, ORDINANCES AND APPLICABLE REGULATIONS.
- THE GENERAL CONTRACTOR SHALL SUPERVISE AND DIRECT THE WORK USING THE BEST SKILLS AND ATTENTION. THE CONTRACTOR SHALL BE SOLELY RESPONSIBLE FOR ALL CONSTRUCTION MEANS, METHODS, TECHNIQUES, SEQUENCES, AND PROCEDURES FOR COORDINATION OF ALL PORTIONS OF THE WORK UNDER THE CONTRACT INCLUDING CONTACT AND COORDINATION WITH THE IMPLEMENTATION ENGINEER AND WITH THE LANDLORD'S AUTHORIZATION REPRESENTATIVE.
- SEAL PENETRATIONS THROUGH FIRE RATED AREAS WITH U.L. LISTED FIRE CODE APPROVED MATERIALS.
- PROVIDE A PORTABLE FIRE EXTINGUISHER WITH A RATING OF NOT LESS THAN 2-A OR 2-A10BC WITHIN 75 FEET TRAVEL DISTANCE TO ALL PORTIONS OF THE PROJECT AREA DURING CONSTRUCTION.
- ALL CONSTRUCTION SHALL BE IN ACCORDANCE WITH CHAPTER 23 OF THE UBC REGARDING EARTHQUAKE PIPING, LIGHT FIXTURES, CEILING GRID, INTERIOR PARTITIONS AND MECHANICAL EQUIPMENT. ALL WORK MUST BE IN ACCORDANCE WITH LOCAL EARTHQUAKE CODES AND REGULATIONS.
- DETAILS ARE INTENDED TO SHOW END RESULTS OF DESIGN. MINOR MODIFICATIONS MAY BE REQUIRED TO SUIT JOB DIMENSIONS OR CONDITIONS, AND SUCH MODIFICATIONS SHALL BE INCLUDED AS PART OF THE WORK.
- THE CONTRACTOR SHALL MAKE NECESSARY PROVISIONS TO PROTECT EXISTING IMPROVEMENTS, PAVING, CURBS, VEGETATION, GALVANIZED SURFACES, ETC., AND UPON COMPLETION OF WORK REPAIR ANY DAMAGE THAT OCCURRED DURING CONSTRUCTION TO THE SATISFACTION OF EXTENET.
- KEEP GENERAL AREA CLEAN, HAZARD FREE, AND DISPOSE OF ANY DIRT, DEBRIS, RUBBISH AND REMOVE EQUIPMENT NOT SPECIFIED AS REMAINING ON THE PROPERTY. LEAVE PREMISES IN CLEAN CONDITION AND FREE FROM PAINT SPOTS, DUST, OR SMUDGES OF ANY NATURE.
- REPRESENTATIONS OF TRUE NORTH, OTHER THAN THOSE FOUND ON THE PLOT OF SURVEY DRAWING, SHALL BE USED TO IDENTIFY OR ESTABLISH THE BEARING OF TRUE NORTH AT THE SITE. THE CONTRACTOR SHALL RELY SOLELY ON THE PLOT OF SURVEY DRAWING AND ANY SURVEYOR'S MARKINGS AT THE SITE FOR THE ESTABLISHMENT OF TRUE NORTH, AND SHALL NOTIFY THE ARCHITECT / ENGINEER PRIOR TO PROCEEDING WITH THE WORK. IF ANY DISCREPANCY IS FOUND BETWEEN THE VARIOUS ELEMENTS OF THE WORKING DRAWINGS AND THE TRUE NORTH ORIENTATION (AS DEPICTED ON THE CML SURVEY), THE CONTRACTOR SHALL ASSUME SOLE LIABILITY FOR ANY FAILURE TO NOTIFY THE ARCHITECT/ENGINEER.
- PLANS ARE NOT SCALED AND ARE INTENDED FOR DIAGRAMMATIC OUTLINE ONLY, UNLESS NOTED OTHERWISE.
- DIMENSIONS SHALL TAKE PRECEDENCE OVER SCALES SHOWN ON THE DRAWING. DIMENSIONS SHOWN AS X-X ARE ESTIMATED AND SHALL BE VERIFIED BY A SURVEYOR OR BY THE CONTRACTOR PRIOR TO CONSTRUCTION.
- ALL SITE WORK SHALL BE CAREFULLY COORDINATED BY GENERAL CONTRACTOR WITH LOCAL UTILITY COMPANY, TELEPHONE COMPANY, AND ANY OTHER UTILITY COMPANIES HAVING JURISDICTION OVER THE LOCATION.

GENERAL CML NOTES:

- ALL SITE WORK SHALL BE AS INDICATED ON THE DRAWING AND STIPULATED IN THE SPECIFICATIONS PROJECT SUMMARY.
- RUBBISH, STUMPS, DEBRIS, STICKS, STONES, AND OTHER REFUSE SHALL BE REMOVED FROM THE SITE AND DISPOSED OF LEGALLY.
- NO FILL OR EMBANKMENT MATERIAL SHALL BE PLACED ON FROZEN GROUND. FROZEN MATERIALS, SNOW OR ICE SHALL NOT BE PLACED IN ANY FILL OR EMBANKMENT.
- THE SUB GRADE SHALL BE COMPACTED AND BROUGHT TO A SMOOTH UNIFORM GRADE PRIOR TO THE CRUSHED STONE APPLICATION.
- ALL EXISTING ACTIVE SEWER, WATER, GAS, ELECTRICAL, AND OTHER UTILITIES WHERE ENCOUNTERED IN THE WORK, SHALL BE PROTECTED AT ALL TIMES, AND WHERE REQUIRED FOR THE PROPER EXECUTION OF THE WORK, SHALL BE RELOCATED AS DIRECTED BY ENGINEERS. EXTREME CAUTION SHOULD BE USED BY THE CONTRACTOR WHEN EXCAVATION OR PIER DRILLING AROUND OR NEAR UTILITIES. CONTRACTOR SHALL PROVIDE SAFETY TRAINING FOR THE WORK CREW.
- ALL EXISTING ACTIVE SEWER, WATER, GAS, ELECTRICAL, AND OTHER UTILITIES, WHICH INTERFERE WITH THE EXECUTION OF THE WORK, SHALL BE REMOVED AND SHALL BE CAPPED, PLUGGED, OR OTHERWISE DISCONTINUED AT POINTS WHICH WILL NOT INTERFERE WITH THE EXECUTION OF THE WORK. SUBJECT TO THE APPROVAL OF THE ENGINEER.
- THE AREAS OF PROPERTY DISTURBED BY THE WORK AND NOT COVERED BY THE BUILDING, DRIVEWAY OR CRUSHED STONE, SHALL BE GRADED TO A UNIFORM SLOPE, FERTILIZED, SEEDED, AND COVERED WITH MULCH AS SPECIFIED IN THE SPECIFICATION LANDSCAPE WORK.



PROJECT INFORMATION:
 349-509 W Beidler Rd
 King Of Prussia, PA 19406

CURRENT ISSUE DATE:
 2/18/16

ISSUED FOR:
 PLANNING

REV:	DATE:	DESCRIPTION	BY:
1	6/3/15	DESIGN	JC
2	9/1/15	Proposed & Band	KP
3	2/18/16	PHOTO	KP
4			
5			
6			
7			
8			

PLANS PREPARED BY:

PRECISION VALLEY COMMUNICATIONS
 333 RIVER ST
 SPRINGFIELD VT 05156
 PHONE: (802) 885-9317
 FAX: (802) 885-1279
 SEND INQUIRES TO:
 PVCVT@PVC2.COM

CONSULTANT:

DRAWN BY:	CHK:	APV:
JJC	RC	PP

LICENSURE:

SHEET TITLE:
 TITLE SHEET

SHEET NUMBER:	REVISION:
T1	3
	DWG.EXT

SITE MAP



SCOPE OF WORK

CONSTRUCTION OF AN UNMANNED TELECOMMUNICATION FACILITY CONSISTING OF (1) Flex Wave Prism, (1) Cylindrical Antenna CWT070X06Fxy-1, TSI BATTERY BACKUP AND ASSOCIATED CABLES MOUNTED TO A UTILITY POLE.
 NOTE: Extenet to place new 45/3 pole in the city ROW upon municipality approval.

PROJECT INFORMATION

SITE ADDRESS: 349-509 W Beidler Rd
 King Of Prussia, PA 19406

POLE NUMBERS: New
LATITUDE: 40.1102153
LONGITUDE: -75.3897956

POLE OWNER: ExteNet Systems, Inc.

CONTACT PERSON: Rick Angelini
 3030 WARRENVILLE ROAD, SUITE 340
 LISLE, IL 60532
NOC: (866) 892-5327

APPLICANT: ExteNet Systems Inc
 3030 WARRENVILLE ROAD, SUITE 340
 LISLE, IL 60532
 Rick Callahan
 802-683-6520
 PVC

AGENT:



811
 Know what's below.
 Call before you dig.



3030 WARRENVILLE ROAD, SUITE 340
LISLE, IL 60532

PROJECT INFORMATION:

349-509 W Beidler Rd
King Of Prussia, PA 19406

CURRENT ISSUE DATE:

2/18/16

ISSUED FOR:

PLANNING

REV: DATE: DESCRIPTION BY:

REV	DATE	DESCRIPTION	BY
1	6/3/15	DESIGN	JC
2	9/1/15	Proposed & Band	KP
3	2/18/16	PHOTO	KP
4			
5			
6			
7			
8			

PLANS PREPARED BY:

PRECISION VALLEY COMMUNICATIONS
 333 RIVER ST
 SPRINGFIELD VT 05156
 PHONE: (802) 885-9317
 FAX: (802) 885-1279
 SEND INQUIRES TO:
 PVCVT@PVC2.COM

CONSULTANT:

Blank box for consultant name

DRAWN BY: CHK: APV:

JJC	RC	PP
-----	----	----

LICENSURE:

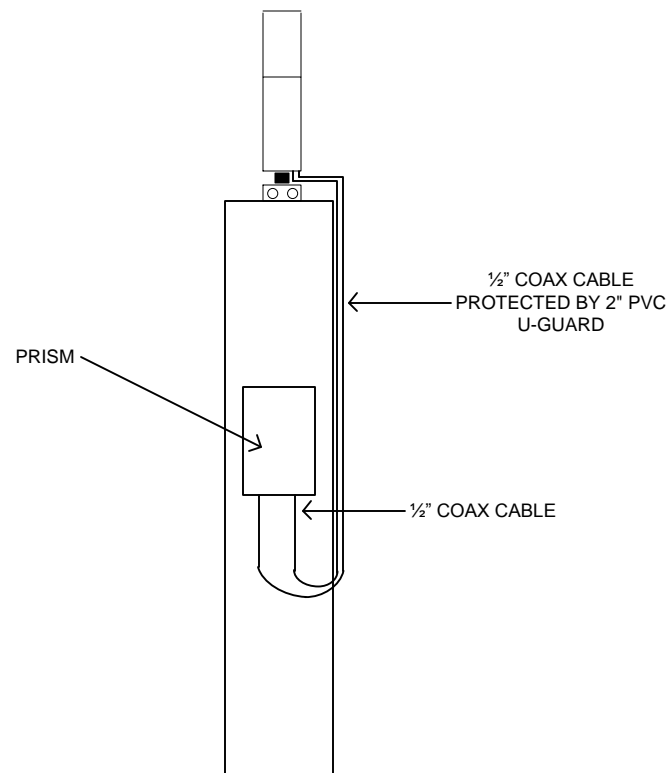
Blank box for licensure information

SHEET TITLE:

SITE PLAN & POLE ELEVATIONS

SHEET NUMBER: REVISION:

S1	3
	DWG.EXT



COAX CABLE ATTACHMENT DETAIL

POLE ELEVATIONS

ROW GROUND CONSTRUCTION NOTES:

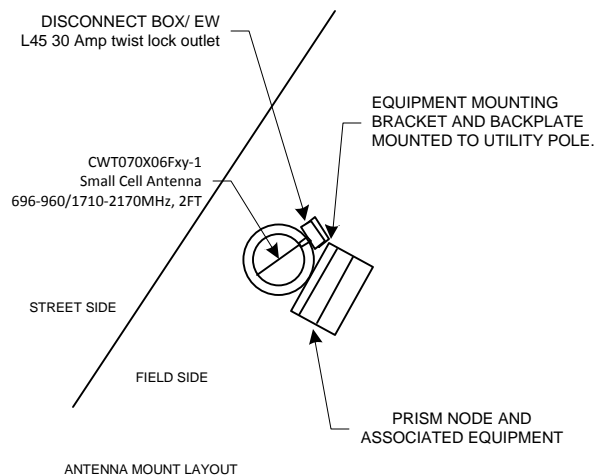
- 120/240 POWER REQUIRED FOR 3-WIRE SERVICE
- GC TO REMOVE/CLEAN ALL DEBRIS, NAILS, STAPLES, OR NON-USED VERTICALS OFF THE POLE.
- ALL CONSTRUCTION SHALL BE IN ACCORDANCE WITH MUNICIPAL, COUNTY, STATE, FEDERAL, G095 AND G0128 STANDARDS AND REGULATIONS.
- CALL ONE CALL 72 HOURS PRIOR TO EXCAVATING. 811
- ALL LANDSCAPING TO BE RESTORED TO ORIGINAL CONDITION OR BETTER.
- ALL EQUIPMENT TO BE BONDED.

STANDARD GROUNDING NOTES:

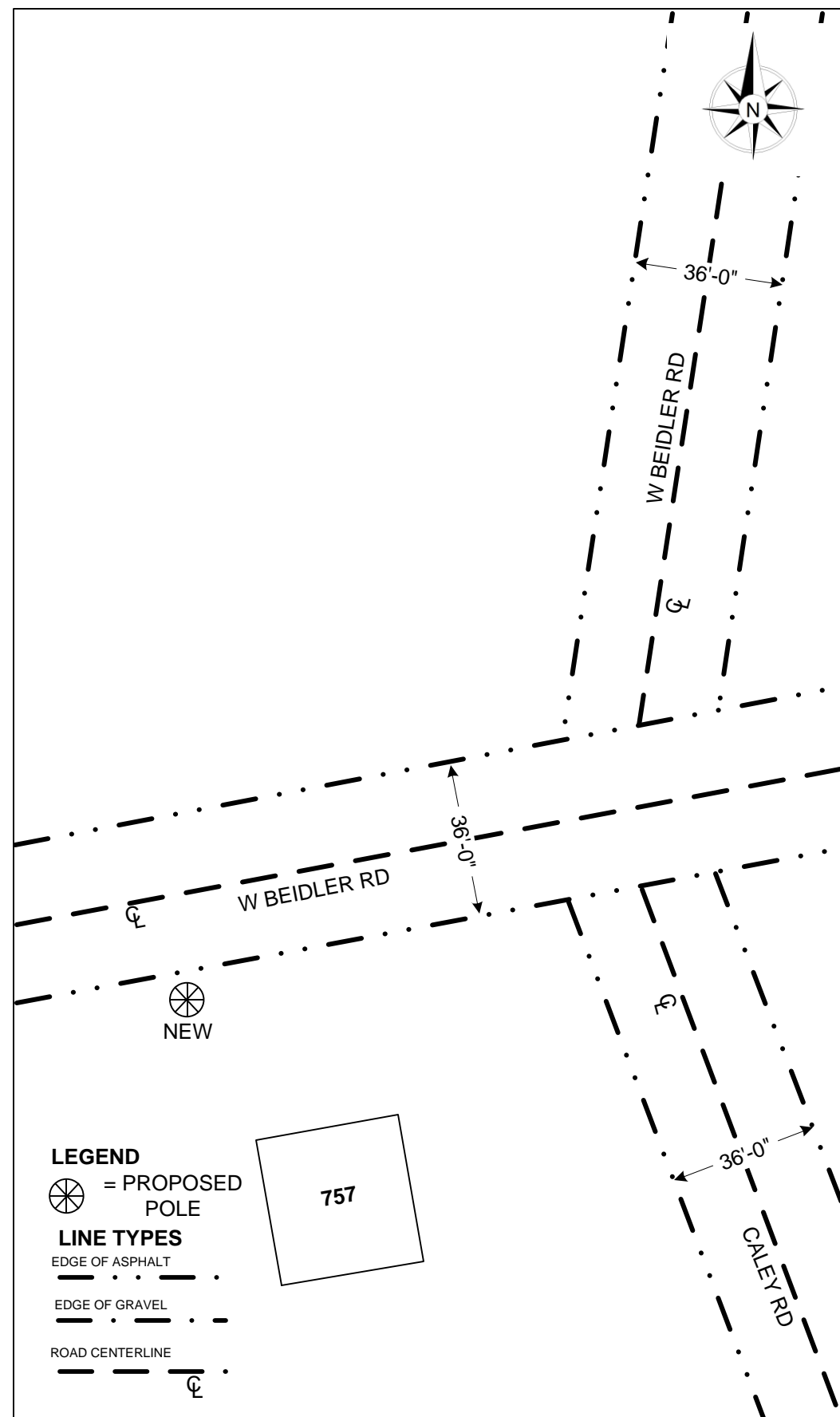
- GROUND TESTED AT 5 OHMS OR LESS.
- 5/8" X 8' GRD ROD
- #6 COPPER GROUND AND BOND WIRE.
- CONTRACTOR SHALL LEAVE GROUND VISIBLE UNTIL ELECTRICAL INSPECTION COMPLETED, THEN DRIVE 6" BELOW GRADE.

ROW UTILITY POLE CONSTRUCTION NOTES:

- NO BOLT THREADS TO PROTRUDE MORE THAN 1-1/2".
- FILL ALL HOLES LEFT IN POLE FROM REARRANGEMENT OF CUMBERS.
- CABLE NOT TO IMPEDE 15" CLEAR SPACE OFF POLE FACE (12:00).
- 90° SHORT SWEEPS UNDER ANTENNA ARM. ALL CABLES MUST ONLY TRANSITION ON THE INSIDE OR BOTTOM OF ARMS (NO CABLE ON TOP OF ARMS).
- USE CABLE CLAMPS TO SECURE CABLE TO ARMS; PLACE 2" EXTENET CABLE ID TAGS ON BOTH SIDES OF ARMS. ALL TAGS SHOULD BE SECURELY ATTACHED.
- USE 1/2" CABLE ON ANTENNAS UNLESS OTHERWISE SPECIFIED.
- FILL VOID AROUND CABLES AT CONDUIT OPENING WITH FOAM SEALANT TO PREVENT WATER INTRUSION.
- EQUIPMENT/ANTENNA SPACING NEAR POWER LINES AND COMMUNICATION CABLES TO BE INSTALLED PER POLE OWNER/UTILITY COMPANY SPECIFICATIONS.
- CONTRACTOR TO ROUTE FIBER AND POWER AERIALLY TO NEAREST UTILITY DEMARK. FIELD VERIFY LOCATION PRIOR TO CONSTRUCTION.
- MAINTAIN 12" SPACE BETWEEN ALL COMMS.



ANTENNA LAYOUT



LEGEND

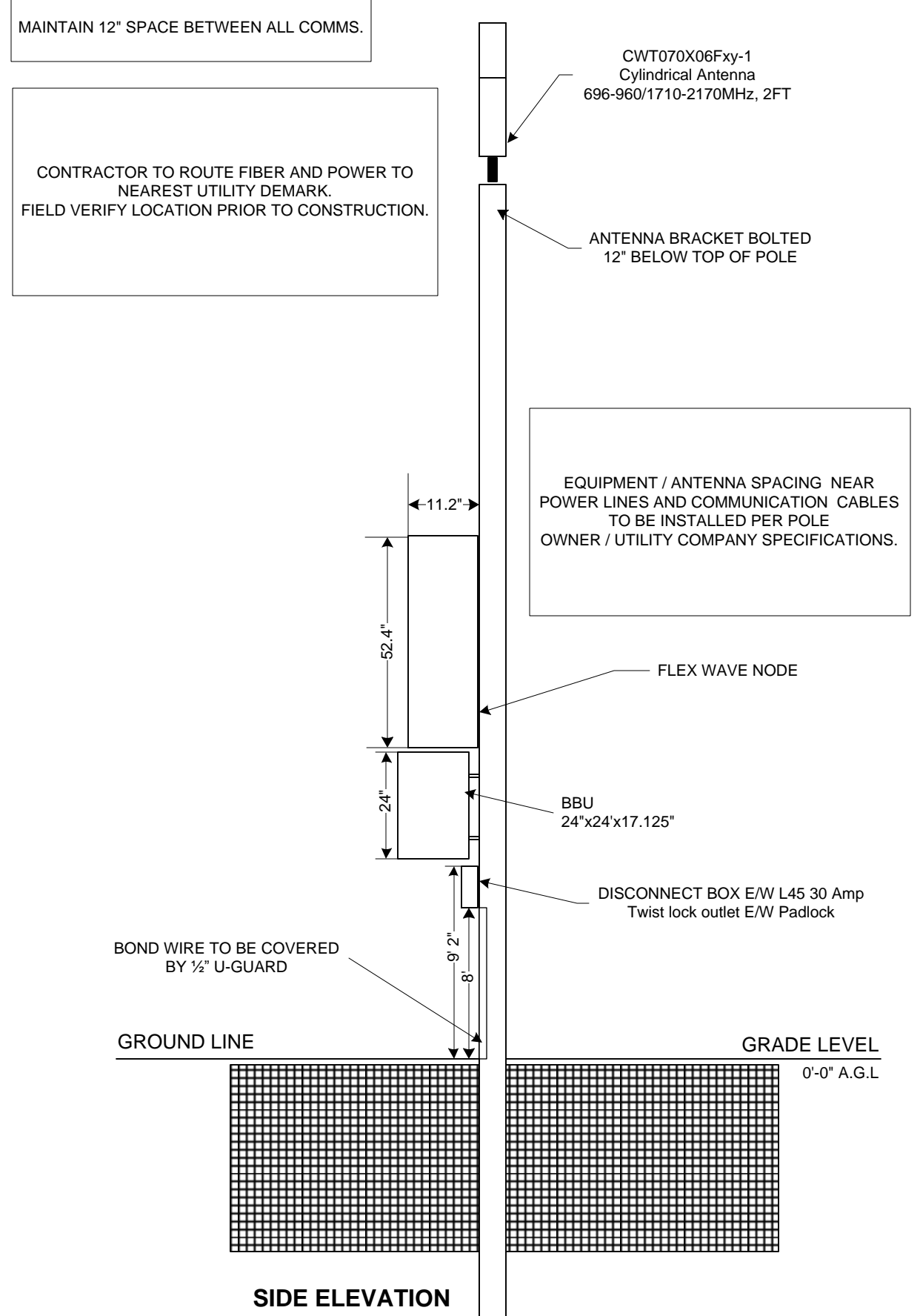
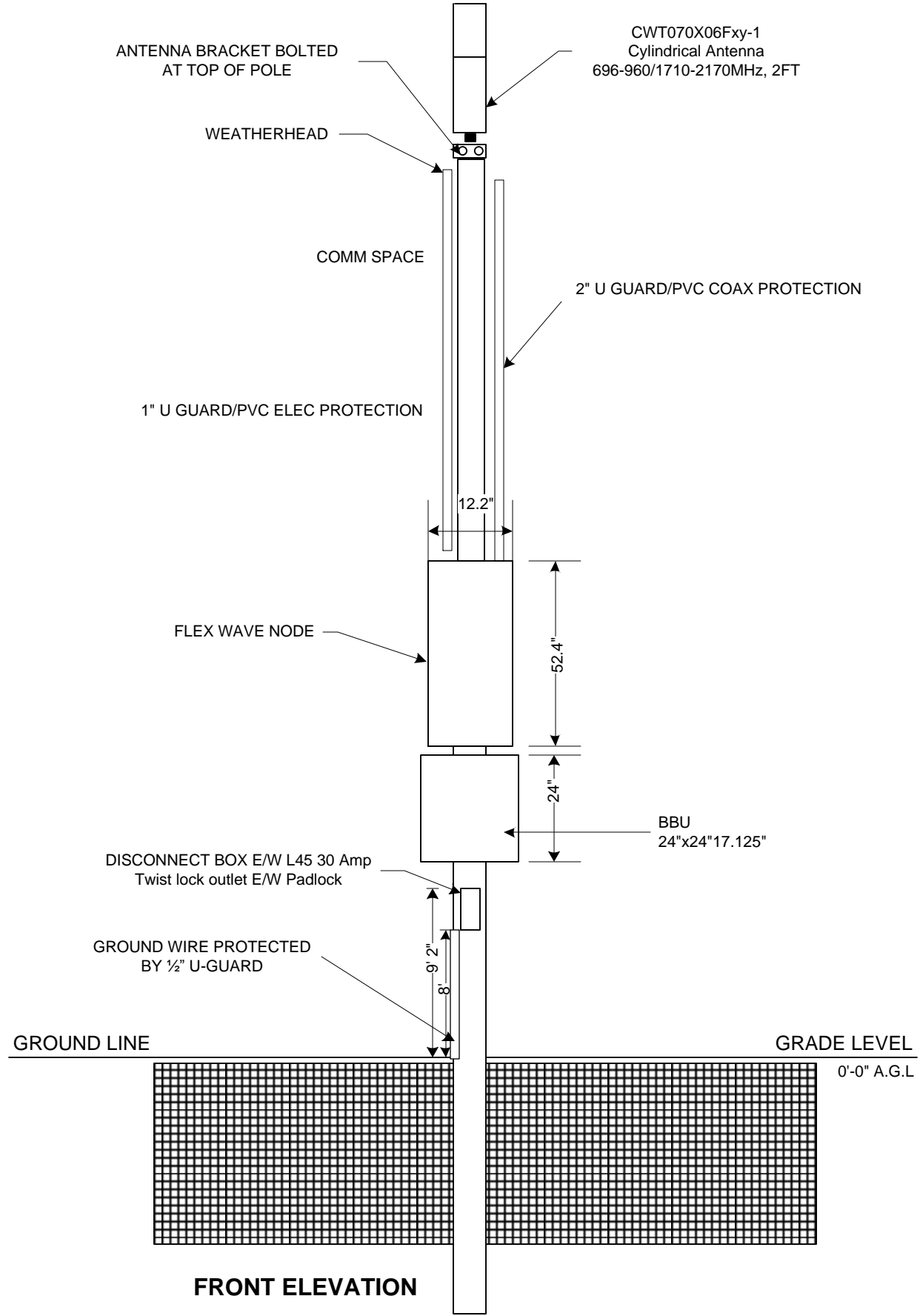
⊗ = PROPOSED POLE

LINE TYPES

- EDGE OF ASPHALT
- EDGE OF GRAVEL
- ROAD CENTERLINE

ROW CONSTRUCTION NOTES

SITE PLAN



PROJECT INFORMATION:

349-509 W Beidler Rd
King Of Prussia, PA 19406

CURRENT ISSUE DATE:

2/18/16

ISSUED FOR:

PLANNING

REV: DATE: DESCRIPTION BY:

1	6/3/15	DESIGN	JC
2	9/1/15	Proposed & Band	KP
3	2/18/16	PHOTO	KP
4			
5			
6			
7			
8			

PLANS PREPARED BY:

PRECISION VALLEY COMMUNICATIONS
 333 RIVER ST
 SPRINGFIELD VT 05156
 PHONE: (802) 885-9317
 FAX: (802) 885-1279
 SEND INQUIRES TO:
 PVCVT@PVC2.COM

CONSULTANT:

DRAWN BY: CHK: APV:

JJC RC PP

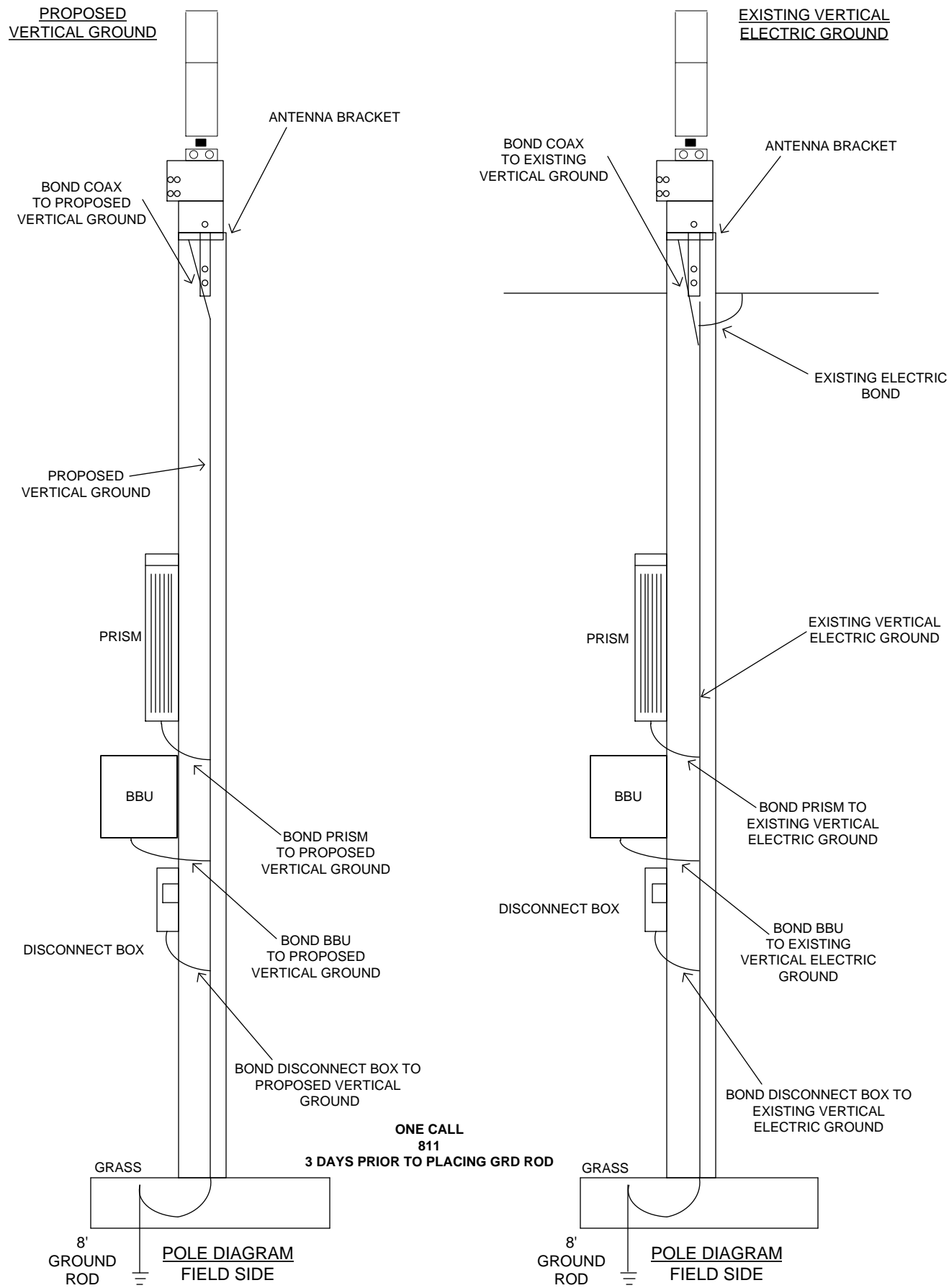
LICENSURE:

SHEET TITLE:

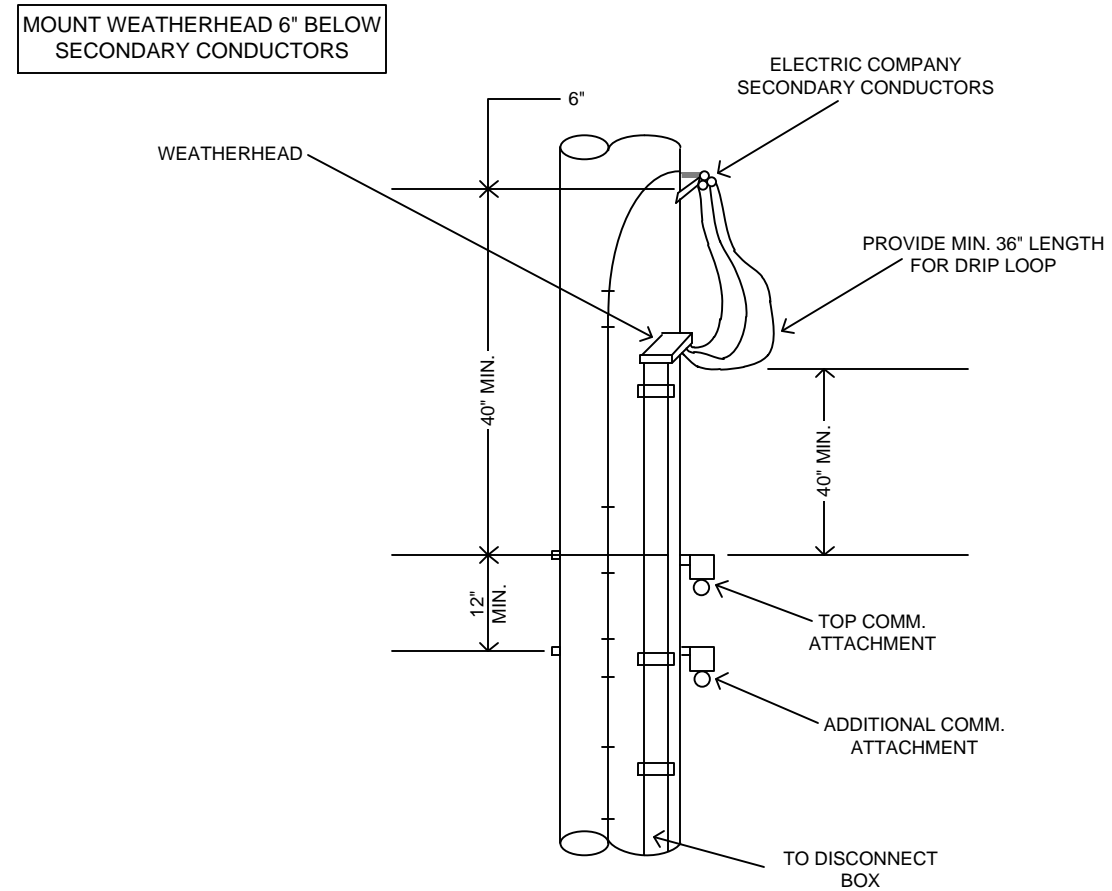
TYPICAL WOOD POLE DETAIL

SHEET NUMBER: REVISION:

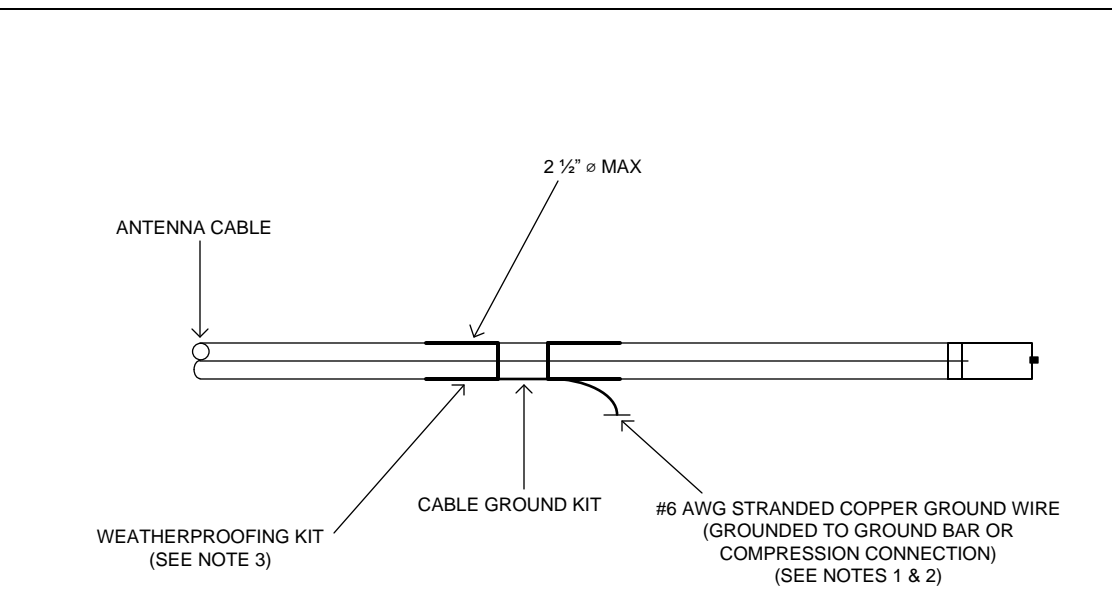
E1 **3**
DWG.EXT



TYPICAL WOOD POLE GROUNDING DETAIL



WEATHERHEAD DETAIL



- NOTES:
- DO NOT INSTALL CABLE GROUND KIT AT A BEND AND ALWAYS DIRECT GROUND WIRE DOWN TO GROUND ROD, OR COMPRESSION CONNECTION.
 - GROUNDING KIT SHALL BE TYPE AND PART NUMBER AS SUPPLIED OR RECOMMENDED BY CABLE MANUFACTURER.

ANTENNA CABLE GROUND KIT



3030 WARRENVILLE ROAD, SUITE 340
LISLE, IL 60532

PROJECT INFORMATION:

349-509 W Beidler Rd
King Of Prussia, PA 19406

CURRENT ISSUE DATE:

2/18/16

ISSUED FOR:

PLANNING

REV: DATE: DESCRIPTION BY:

REV	DATE	DESCRIPTION	BY
1	6/3/15	DESIGN	JC
2	9/1/15	Proposed & Band	KP
3	2/18/16	PHOTO	KP
4			
5			
6			
7			
8			

PLANS PREPARED BY:

PRECISION VALLEY COMMUNICATIONS

333 RIVER ST
SPRINGFIELD VT 05156
PHONE: (802) 885-9317
FAX: (802) 885-1279
SEND INQUIRES TO:
PVCVT@PVC2.COM

CONSULTANT:

DRAWN BY: CHK: APV:

JJC RC PP

LICENSURE:

SHEET TITLE:

GROUNDING & WEATHERHEAD

SHEET NUMBER: REVISION:

E2

3

DWG.EXT



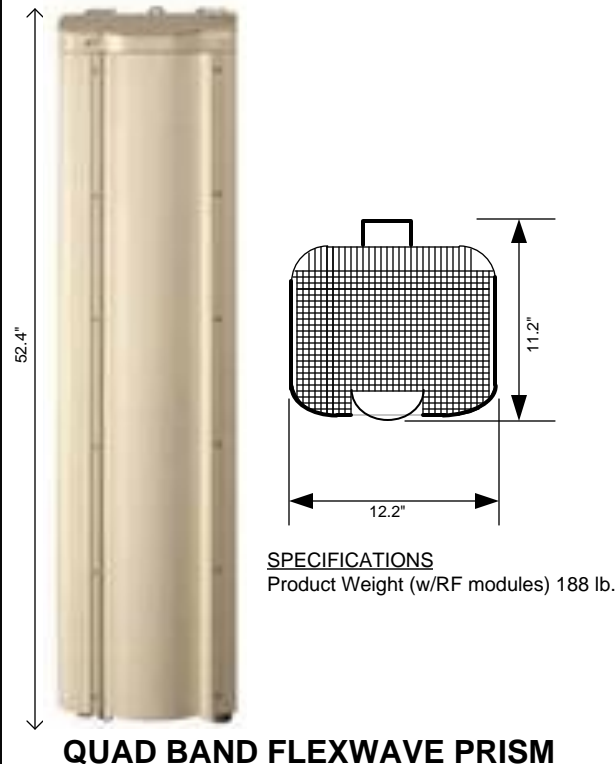
The Square D by Schneider Electric QO 30/100 Amp 4-Space 8-Circuit Temporary Transfer Generator Panel helps you change from utility power to a standby source with the flip of 2 QO main circuit breakers. The panel is intended for outdoor use to connect to a standby power source for as many as 8 circuits. The ANSI-certified and UL-listed unit features a mechanical interlock to help ensure that only 1 main circuit breaker is in the on position at any time.

Use to connect to a standby power source to as many as 8 circuits
 Changes from utility power to a standby source with the flip of 2 QO main circuit breakers
 Aluminum buss
 Single phase
 120/240 Volts
 For outdoor use
 Mechanical interlock helps ensure that only 1 main circuit breaker is in the on position at any time
 Accepts up to 8 QO circuit breakers (sold separately)
 ANSI certified and UL listed
 Includes a 30 Amp 4-Watt L14-30P twist-lock receptacle in the bottom end wall for direct connection from a generator cord supply

SPECIFICATIONS

Assembled Depth (in.):	14.3"
Assembled Height (in.):	4.8"
Assembled Width (in.):	10.4"
Certifications and Listings: 1-UL Listed, ANSI Certified	
Electrical Product Type:	Load Center
Load Center Type:	Temporary Power
Load center depth (in.):	4.27"
Load center height (in.):	12.65"
Load center width (in.):	8.88"
Maximum Amperage (amps):	30/100A
Mounting Type:	Plug In
Number of Gangs:	1
Number of Spaces:	4
Number of Phases:	1
Power Distribution Features:	No Additional Features
Product Series:	QO
Product Weight (lb.):	11.53
Manufacturer Warranty lifetime:	Call 888-778-2733 for further details

Square D Outdoor Manual Transfer Switch w/ 30-Amp Twist Lock Receptacle (QO1DM10030TRBR)



SPECIFICATIONS
 Product Weight (w/RF modules) 188 lb.

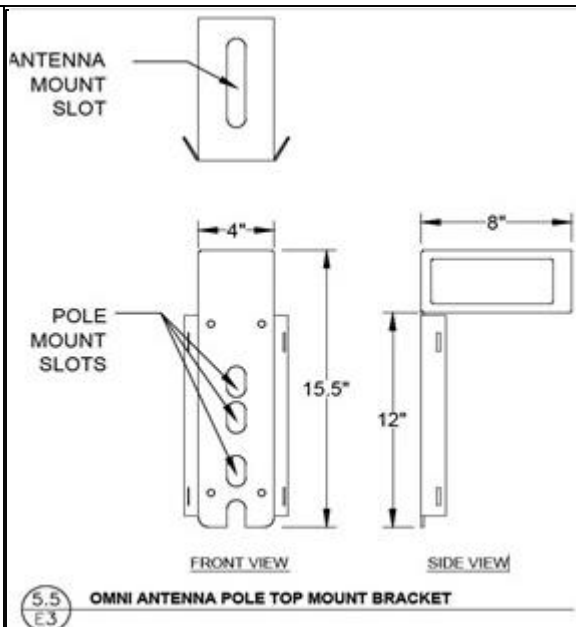
Amphenol Small Cell / Distributed Antenna Systems (DAS) ANTENNA SOLUTIONS
Cylindrical Antennas
 Dual Band: 696-960 / 1710-2170 MHz
CWT070X06Fxy-1
 Dual Band, Tri Sector (120°) Cylindrical Antenna
 DIPLEXED, XX-Pol, 70° / 70°, 9.5 / 13.5 dBi, Fixed Tilt
RELEASED



Unpainted	CWT070X06Fxy-1
	CWT070X06Fxy-1S
	CWT070X06Fxy-1T
	CWT070X06Fxy-1U
Yes	

Replace "x" in the model number with the desired Fixed Electrical Downtilt for the low band and replace "y" in the model number with the desired Fixed Electrical Downtilt for the high band (see options below under Electrical Downtilt)

Mechanical Characteristics	
Dimensions (Height x Diameter)	610 x 371 mm (24.0 x 14.6 in)
Weight without Mounting Brackets	13 kg (28.7 lbs)
Survival Wind Speed	201 km/hr (125 mph)
Wind Loads (160 km/hr or 100 mph)	191 N (43 lbf)



SPECIFICATION	1200B-0780
INPUT	
Nominal voltage	115 V ± 8%
Operating voltage	96 - 136 V without transferring to inverter
Current @96 V & max charging	18.6 A
Circuit breaker (FO00017)	20 A
Surge voltage test condition	ANSI/IEEE: 6 kV, 1.2 x 50 µs / 8 kA, 8 x 20 µs; L-N: 450 V L-G: 300 V N-G: 300 V
OUTPUT	
Output power	1200 W
Voltage	115 V ± 8%
Crest factor	3 : 1
Waveform and THD	Sine wave, < 3% THD with linear load
Power efficiency	Line: 97%, Inverter: 92% under full load conditions
Transfer time	0 to 8 milliseconds
BATTERY	
Type	Four (4) Wide-temperature, sealed gel cells, pure lead, MfK Battery: 8G24FT (sold separately)
Dimensions inch / mm : weight	7.71L x 5.18W x 7.22H / 196L x 132W x 183H; 52 lbs / 23.6kg
Ah @ 20hr rate and bus voltage	78.6 Ah, 48 VDC
Number of batteries	4
Battery circuit breaker	40 A magnetic type
Temp. range fully charged	-4° to +140° F (-20° to +60° C), -40° to +140° F (-40° to +60° C) with optional battery heater
Battery backup time vs. load	1.5 hrs at 1200 W 4.25 hrs at 600 W
Recharge time	Temperature compensated charger, charge to 90% capacity after full discharge - 20 hours
INDICATORS AND ALARMS	
Status indicators	INVERTER ON : Amber, Solid; FAULT ON : Red, Solid; LOW BATT ON : Amber, Solid; BUCK ON : Green, Solid; BOOST ON : Green, Solid; AC ON : Green Solid
Alarm connections	6 Alarm connection terminal block is integrated into the main control board
PHYSICAL	
Dimensions inch / mm	24H x 24W x 17.125D / 762H x 762W x 435D
Aluminum cabinet	Outdoor type, powder coated gray, rain tested to NEMA 3R UL 50
Input / output connections	8 position terminal block provided for 3 x 12 AWG, 3/4" holes for conduit connectors
Weight, without batteries lbs / kg	87 / 39.5
Mounting option	Bolting or banding to monopole via optional pole mount bracket - PM2 (stainless steel mounting bands not included), pad (ground) with optional bottom mounted u-channel - PAD2, or wall mountable via four wall mounting 'feet' which are included standard - WM2
ENVIRONMENTAL	
Operating temperature	14° to +113° F (-10° to +45° C) ambient air temperature
Battery heater option	-40° to +113° F (-40° to +45° C) with optional battery heater
Cooling method	Thermostat controlled exhaust fan for heat sinks on main circuit board
Moisture protection	Conformal coating of electronic boards for moisture resistance
SAFETY	
Standards	Designed to conform to UL 60950-1 and UL 1778 and rain tested to NEMA 3R
WARRANTY	
Warranty	Two-year limited warranty, parts and labor. Manufacturer warranty on batteries.



extenet SYSTEMS
 3030 WARRENVILLE ROAD, SUITE 340
 LISLE, IL 60532

PROJECT INFORMATION:
 349-509 W Beidler Rd
 King Of Prussia, PA 19406

CURRENT ISSUE DATE:
 2/18/16

ISSUED FOR:
 PLANNING

REV:	DATE:	DESCRIPTION	BY:
1	6/3/15	DESIGN	JC
2	9/1/15	Proposed & Band	KP
3	2/18/16	PHOTO	KP
4			
5			
6			
7			
8			

PLANS PREPARED BY:
 PRECISION VALLEY COMMUNICATIONS
 333 RIVER ST
 SPRINGFIELD VT 05156
 PHONE: (802) 885-9317
 FAX: (802) 885-1279
 SEND INQUIRES TO:
 Pvcvt@Pvcvt.com

CONSULTANT:
 DRAWN BY: JJC
 CHK: RC
 APV: PP

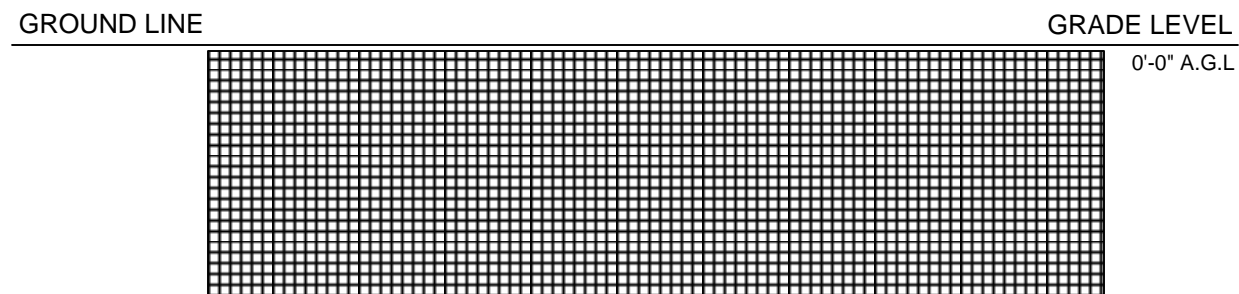
LICENSURE:

SHEET TITLE:
 EQUIPMENT SPECS

SHEET NUMBER: E3
REVISION: 3
 DWG.EXT

EXISTING

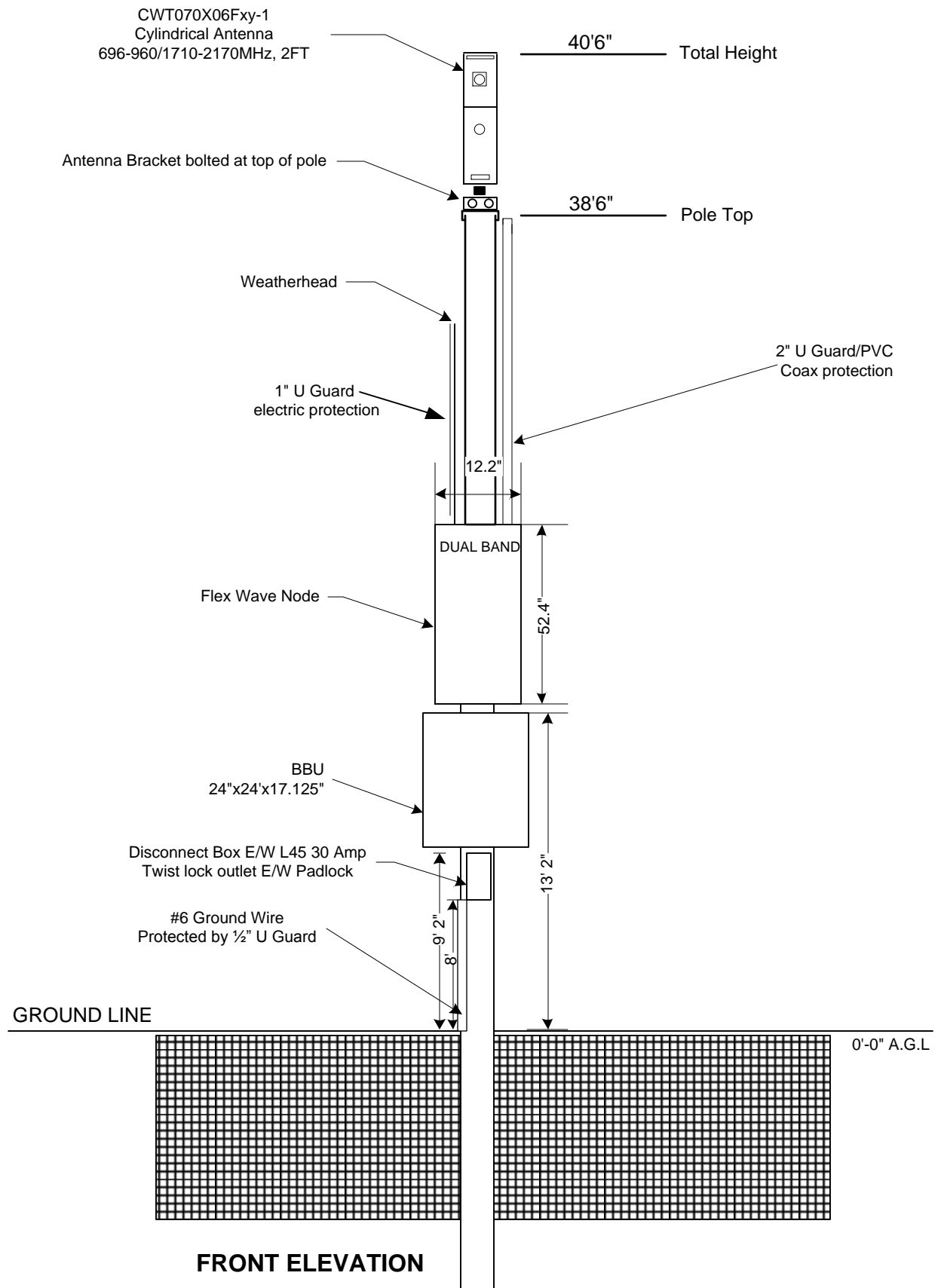
No Current Existing Pole



FRONT ELEVATION

PROPOSED
Only new attachments are shown for clarity purposes

True North	Magnetic North
Azimuth	Azimuth
260	248



FRONT ELEVATION



PROJECT INFORMATION:
349-509 W Beidler Rd
King Of Prussia, PA 19406

CURRENT ISSUE DATE:
2/18/16

ISSUED FOR:
PLANNING

REV:	DATE:	DESCRIPTION	BY:
1	6/3/15	DESIGN	JC
2	9/1/15	Proposed & Band	KP
3	2/18/16	PHOTO	KP
4			
5			
6			
7			
8			



CONSULTANT:

DRAWN BY:	CHK:	APV:
JJC	RC	PP

LICENSURE:

SHEET TITLE:
ATTACHMENTS

SHEET NUMBER: REVISION:
E4 **3**
DWG.EXT